

# Vibrating Tables TVC-TVL

---

Models:

TVC 2000 - TVL 3500

---

## TVC 2000

TVC 2000 vibrating table is used for grape reception and sorting lines, before destemming machines and selection belts, in order to distribute homogeneously the grapes on the machines and following systems. Moreover it allows to separate the juice from the grapes and eject small size foreign bodies.

## TVL 3500

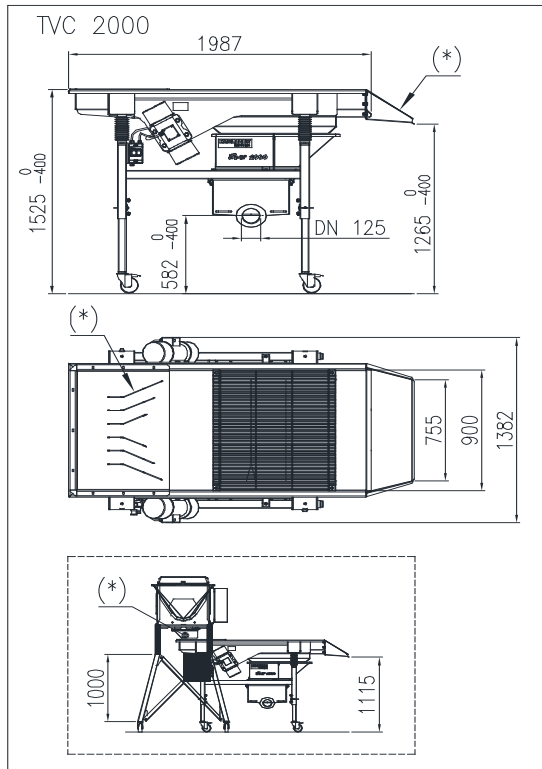
TVL 3500 vibrating table is used for grapes reception and sorting lines, in order to sort the grapes with an operator's help after or before the destemming. During feed it carries out a separation of the juice and unripe or dry berries which cross the grid and are collected in a pan below. The workers will finish the manual sorting to allow the following processing. TVL 3500 sorting table is conceived for 6 persons approx.

## Technical description

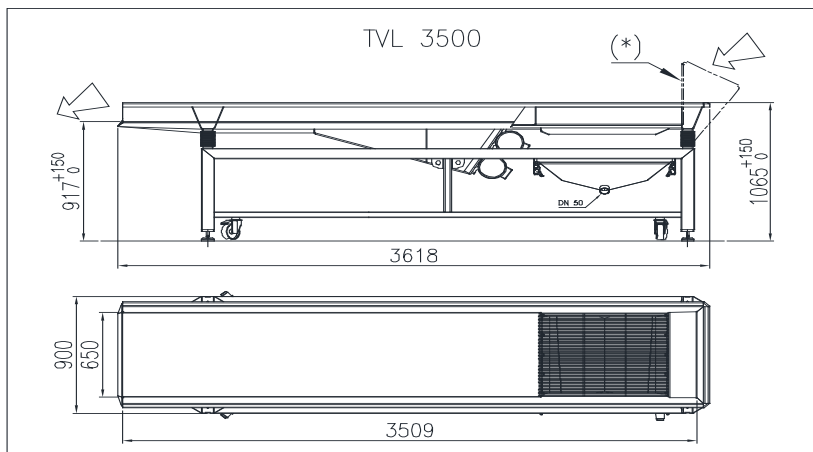
The vibrating tables are made of AISI 304 stainless steel and equipped with two eccentric mass electrical vibrators. They are equipped with an interchangeable selection and dejuicing grid, a juice collecting pan is installed to the frame. The standard vibrating table includes a magnetothermic switch with start-stop selector and variable speed electronic drive with Inverter.



Drawing for **TVC**



Drawing for **TVL**



TVC 2000      TVL 3500

Installed power	KW	1,3	1,3						
Juice pan capacity	lt	-	80						



## Options TVC and TVL

✓ Available  
✗ Not available

	TVC 2000	TVL 3500							
Support for manual boxes discharge	✓	✓							
Oversize hopper for 400kg bins, four swivel wheels and supporting frames	✓	✓							
Inverter for feed speed adjustment	standard	standard							
Additional grid with different distance between the bars	✓	✓							

