

Pneumatic Presses **Vertical**

Models

Vertical 43 - Vertical 52

Technical description

Horizontal pneumatic press with closed AISI 304 stainless steel tank.

High draining efficiency thanks to 4 vertical channels, easily to be removed manually.

Frame entirely made in AISI 304 stainless steel. Covers in stainless steel; control panel in accordance with current European Directives in force.

Machine equipped with compressor for membrane inflation and blower for vacuum.

Safety side protection and emergency button for user's safety. This machine meets current European Directive in force.

Automazione

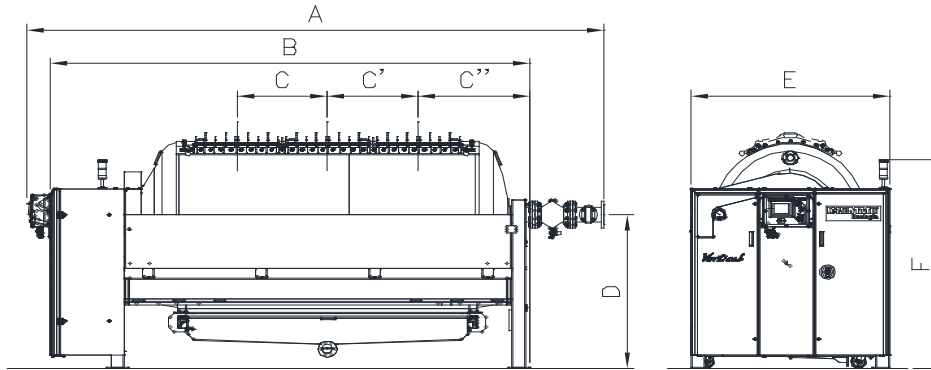
Simple and user-friendly operator interface E-panel with Touch Screen to easily access to programming pages. It allows the management and programming of all working cycles and monitoring of the working cycle and press status.

30 programs are stored in the PLC and a "Rocking" system for tank oscillation and M.I.P. Intelligent Program for optimizing the pressing cycle time.

The Touch Screen control panel is mounted on a stainless steel support which allows adjustment in inclination to give the best visibility all of the time. The panel can be easily dismantled from the press in order to protect it during periods of prolonged inactivity.



Technical Data Vertical



Vertical 43 Vertical 52

A	mm	5.260	5.880						
B	mm	4.239	4.859						
C	mm	801	801						
C'	mm	804	804						
C''	mm	986	1.296						
D	mm	1.450	1.450						
E	mm	2.312	2.312						
F	mm	1.968	1.968						
Tank volume	lt	4.000	5.000						
Doors length	mm	2.250	2.250						
Juice pan volume	lt	550	550						
Empty weight	kg	2.000	2.200						
Full weight	kg	6.300	7.500						
Installed power	kW	10,7	12,7						
Whole bunch capacity	kg	3.000	3.800						
Destemmed/crushed grapes capacity	kg	10.000	11.000						
Fermented and drained capacity	kg	13.000	16.000						

N.B.

The above data is indicative and may vary according to the degree of ripeness, type of grape and filling method. All data refers to initial whole bunch weight prior to any operation like destemming, crushing, maceration, fermentation, etc.



Options Vertical

✓ available
✗ not available

	Vertical 43	Vertical 52							
DN 125 manual axial feeding	✓	✓							
Juice control probe	✓	✓							
F.R.O. Feeding Rotation Optimizer	✓	✓							
Manual wheels	✓	✓							
Stainless steel butterfly manual valves for channels	✓	✓							
Lateral gangways	✓	✓							
Hopper above the doors	✓	✓							
Slotted doors	✓	✓							

