

# Enotork Continuous Screw Press

---

## Models:

Enotork 620 mechanical drive - Enotork 780 hydraulic drive - Enotork 1200 hydraulic drive

---

## Technical description

Continuous horizontal press for final pressing of fermented grapes and marc.

The product coming from a dejuicer type Florsvin is fed by a feeding hopper where the first liquid fraction is detached.

The compressor room is fed by means of a screw with low revolutions number: composed of a first section made of AISI 304 stainless steel and by a final section made of bronze.

The compressor room is composed of cages with self-cleaning bars, externally stiffened and completely made of AISI 304 stainless steel.

Covers and juice collecting pan made of AISI 304 stainless steel, easily to be disassembled and entered for cleaning and inspection.

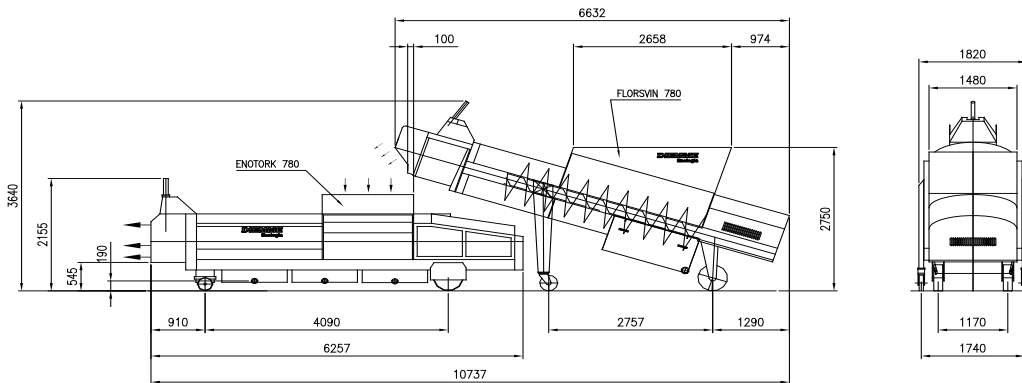
Outlet with possibility to adjust the outgoing counter pressure with adjustment of extraction level by means of an hydraulic jack controlled by an independent hydraulic unit.

ENOTORK 620 continuous screw press is equipped with adjustable speed motor and epicyclic reduction gear, ENOTORK 780-1200 continuous screw presses have an hydraulic unit in order to adjust the screw revolutions number, delivery and extraction level.

In case we supply the continuous screw press together with the corresponding Florsvin inclined screw dejuicer, the control panel will be only one and independent.



## Technical Data Enotork



	Enotork 620	Enotork 780	Enotork 1200
--	----------------	----------------	-----------------

Working capacity	kg	16.000	30.000	60.000					
------------------	----	--------	--------	--------	--	--	--	--	--

### N.B.

The above data is indicative and may vary according to the degree of ripeness, type of grape and filling method. All data refers to initial whole bunch weight prior to any operation like destemming, crushing, maceration, fermentation, etc.

